

INSTALLATION INSTRUCTIONS

TRUSS/POLE KIT

TPK-5 

The TPK-5 includes four clamps for 2" – 3" OD round or square poles.

WARNING: IMPROPER INSTALLATION MAY RESULT IN SERIOUS PERSONAL INJURY!

When mounting Chief Manufacturing accessories, the structural system and mounting method **MUST** be capable of supporting 5 times the combined weight of the total installation.
The maximum weight to be installed on the clamps is 150 pounds (68.04Kg) for the set..

Unpack and check contents:

- (4) CLAMP, 2" – 3"
- (8) BOLT, hex head, tap, 3/8-16 X 3"
- (8) WASHER, flat, 3/8"

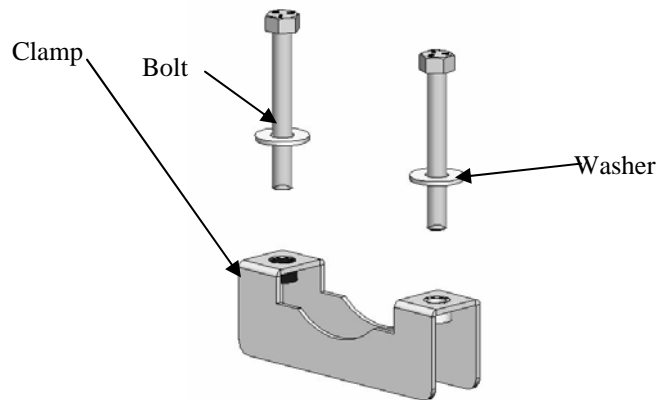


Figure 1. TPK-5

1. Place clamp (see Figure 1) on truss or pole (see Figure 2).
2. Using two 3/8-16 X 3" hex head bolts and 3/8" flat washers, secure clamp to device being mounted (**SEE WARNING ABOVE**).
3. Repeat Step 1 and Step 2 for the second clamp.
4. Repeat Step 1 and Step 2 for the third clamp.
5. Repeat Step 1 and Step 2 for the fourth clamp.

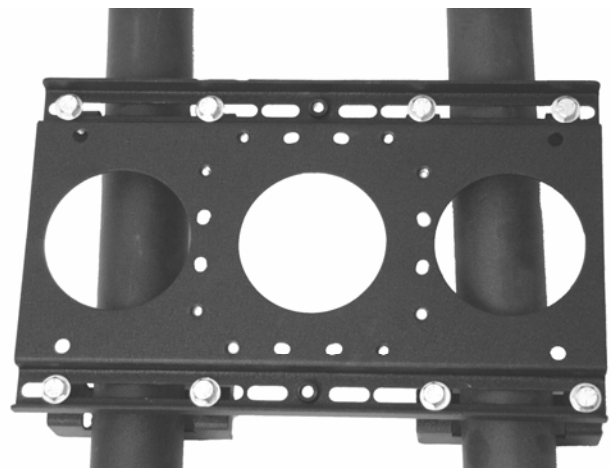


Figure 2. TPK-5 Truss Mount Example



CHIEF MANUFACTURING INC.
1-800-582-6480 952-894-6280 FAX 952-894-6918
12800 HIGHWAY 13 SOUTH, SUITE 500
SAVAGE, MINNESOTA 55378 USA

8807-000008
2003 Chief Manufacturing
www.chiefmfg.com
06/03